



MECHANICALLY ACTUATED MICRO VALVES



TECHNICAL CHARACTERISTICS



Reference Standard

- 1907/2006
REACH ✓
- 2011/65/CE
RoHS ✓
- PED
2014/68/UE



Component Parts and Materials

- Anodised aluminium body
- Stainless Steel Spring
- NBR seals

		M5	
	THREADED	M5	
	6 bar FLOW RATE with Δp 1 bar	100 NI/min	
	OPERATING PRESSURE	2 ÷ 10 bar 29 ÷ 145 psi	
	DRIVING FORCE	6 N	
	TEMPERATURE	min	-10 °C 14 °F
		max	+60 °C 140 °F

Series	Actuation	Reactuation	Function	Size
--------	-----------	-------------	----------	------

0 2 V

G

0

3

N C

B 5

- G** = Tappet
- R** = Short Roller
- U** = Uni-directional Roller
- E** = Panel Mounting Taper Microvalve

0 = Monostable spring return

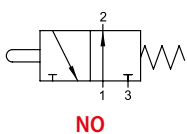
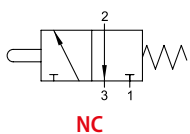
3 = 3/2

NO = Normally open
NC = Normally closed

B5 = M5 (metric)

3/2

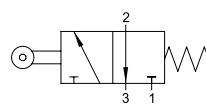
TAPPET - SPRING RETURN



Part Number	Function	Size	Pack.
02V G0 3 NC B5	3/2 NC	M5 (metric)	1
02V G0 3 NO B5	3/2 NO	M5 (metric)	1

3/2

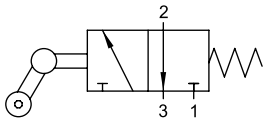
SHORT ROLLER - SPRING RETURN



Part Number	Function	Size	Pack.
02V R0 3 NC B5	3/2 NC	M5 (metric)	1

3/2

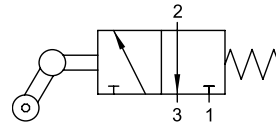
UNI-DIRECTIONAL ROLLER - SPRING RETURN



Part Number	Function	Size	Pack.
02V U0 3 NC B5	3/2 NC	M5 (metric)	1

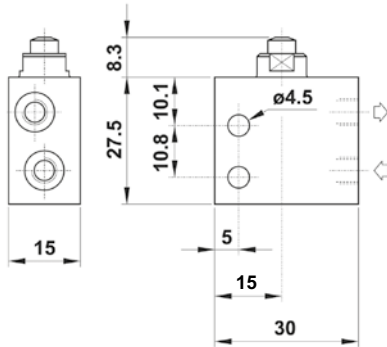
3/2

PANEL MOUNTED TAPPET - SPRING RETURN

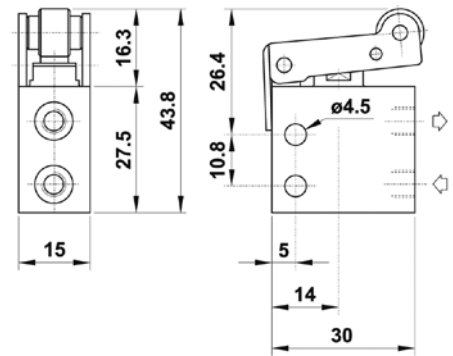


Part Number	Function	Size	Pack.
02V E0 3 NC B5	3/2 NC	M5 (metric)	1

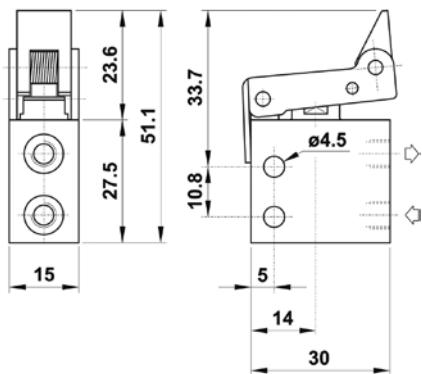
02V G0 3 NC B5



02V R0 3 NC B5



02V U0 3 NC B5



02V E0 3 NC B5

