

SOLENOID VALVES

07V



**TECHNICAL CHARACTERISTICS**



**Reference Standard**

1907/2006 REACH ✓	2011/65/CE RoHS ✓	PED 2014/68/UE	ATEX 2014/34/UE
----------------------	----------------------	-------------------	--------------------



**Component Parts and Materials**

- Anodised aluminium body
- NBR seals

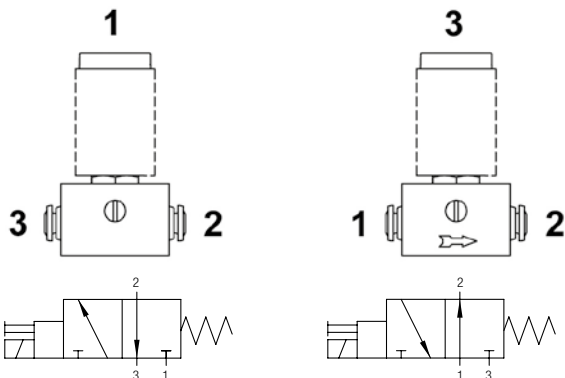
	THREADED	G 1/8 - automatic Ø 5/32 - (4)
	6 bar FLOW RATE with Δp 1 bar	30 NI/min
	OPERATING PRESSURE	0 ÷ 10 bar 0 ÷ 145 psi
	TEMPERATURE	min -10 °C 14 °F max +60 °C 140 °F
	SOLENOID VOLTAGE	24V DC - 12V DC - 24V AC 110V AC - 220V AC
	MINIMUM POWER	3W - 5VA
	MANUAL CONTROL	BISTABLE
	TORQUE OF TIGHTENING THE NUT SOLENOID	0.6 Nm

Series	Actuation	Reactuation	Function	Size
<b>0 7 V</b>	<b>S</b>	<b>0</b>	<b>3</b>	<b>N C</b>
	S = Solenoid with manual override	0 = Monostable spring return	3 = 3/2	NO = Normally open NC = Normally closed
				02 = 1/8 X1 = Ø 5/32 (4)

**3/2**

**SOLENOID WITH MANUAL OVERRIDE**

**SOLENOID WITH MANUAL OVERRIDE**



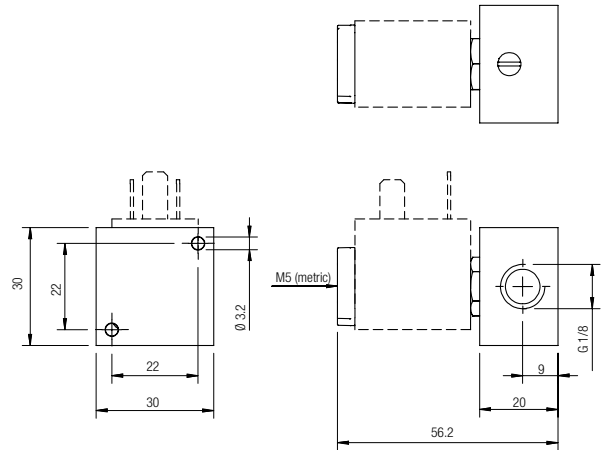
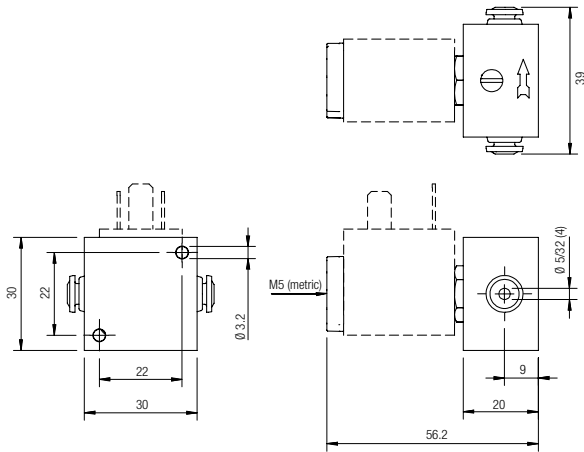
Part Number	Function	Size	Pack.
07V S0 3 NC 02	3/2 NC	G 1/8	1
07V S0 3 NC X1	3/2 NC	Ø 5/32 (4)	1
07V S0 3 NO 02	3/2 NO	G 1/8	1
07V S0 3 NO X1	3/2 NO	Ø 5/32 (4)	1

* 07V Y0 3 NC 02	3/2 NC	G 1/8	1
------------------	--------	-------	---

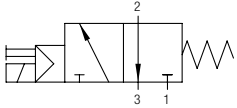
\* Vacuum

5/32 - (4)

G1/8

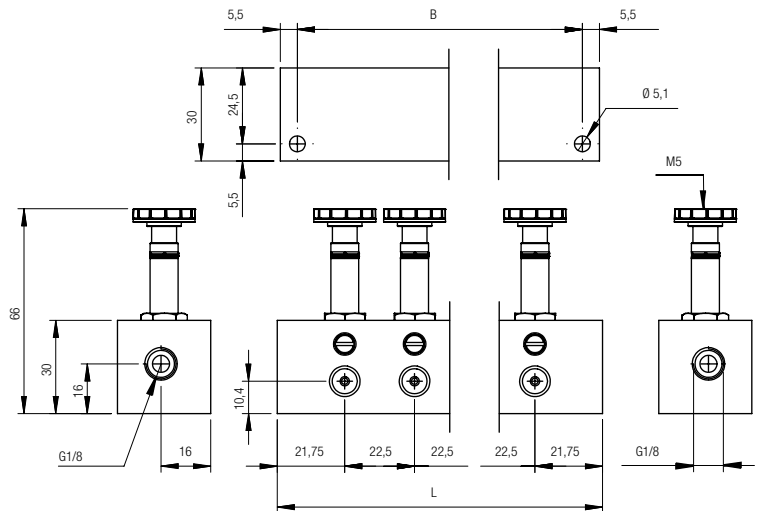


**FIXED LENGTH MANIFOLD WITH MANUAL OVERRIDE**



**SOLENOID VALVES ON FIXED LENGTH MANIFOLD**

Part Number	Function	B	L	Size	Pack.
07V B0 0 00 02	2	55	66	G 1/8	1
07V B0 0 00 03	3	77.5	88.5	G 1/8	1
07V B0 0 00 04	4	100	111	G 1/8	1
07V B0 0 00 05	5	122.5	133.5	G 1/8	1
07V B0 0 00 06	6	145	156	G 1/8	1
07V B0 0 00 07	7	167.5	178.5	G 1/8	1
07V B0 0 00 08	8	190	201	G 1/8	1
07V B0 0 00 09	9	212.5	223.5	G 1/8	1
07V B0 0 00 10	10	235	246	G 1/8	1



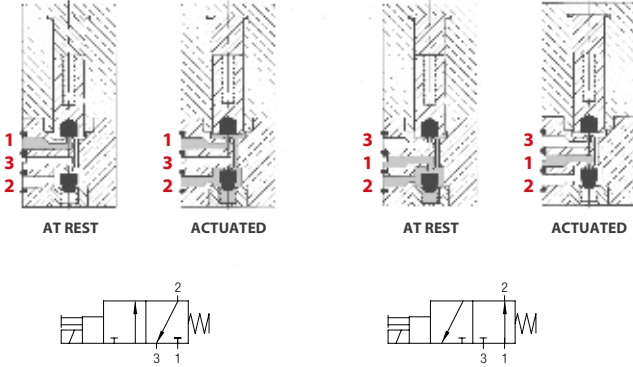
**10 MM MINIATURE SOLENOID VALVES**



**TECHNICAL CHARACTERISTICS**

**NORMALLY CLOSED (NC) 3/2**

**NORMALLY OPEN (NO) 3/2**



**Vacuum: 1 EXH  
2 OUT  
3 IN**



**Reference Standard**

- 1907/2006  
**REACH** ✓
- 2011/65/CE  
**RoHS** ✓
- PED  
2014/68/UE

	<b>MAX PRESSURE</b>	Vacuum ÷ 7 bar Vacuum ÷ 101.5 psi		<b>VOLTAGE</b>	12 V DC ÷ 24V DC
	<b>TEMPERATURE</b>	- 5 ÷ 50 °C 23 ÷ 122 °F		<b>POWER</b>	1.3 W
	<b>6 bar FLOW RATE with Δp 1 bar</b>	14 NI/min		<b>VOLTAGE TOLLERANCE</b>	-5% +10%
	<b>EXHAUST FLOW</b>	22 NI/min		<b>RESPONSE TIME WHEN ENERGIZED</b>	8 ms
	<b>ORIFICE SIZE</b>	0.7 mm		<b>RESPONSE TIME WHEN DE-ENERGIZED</b>	10 ms
	<b>MAX NUMBER OF CYCLES PER MINUTE</b>	2700		<b>CLASS OF PROTECTION</b>	F (155 °C) F (311 °F)
	<b>LIFE EXPECTANCY</b>	50 MILION CYCLES			

Series	Actuation	Reactuation	Function	Orifice size	Voltage
<b>0 7 V</b>	<b>1</b> 1 = 10 mm	<b>1</b> 1 = line connector + led 2 = 90° connector + led 3 = Cable (300 mm)	<b>3</b> 3 = 3/2	<b>NC</b> NO = Normally open NC = Normally closed	<b>0</b> 0 = 0.7 mm <b>1</b> = 24 V DC <b>0</b> = 12 V DC

**3/2**

10 MM SOLENOID VALVE WITH LINE CONNECTOR + LED

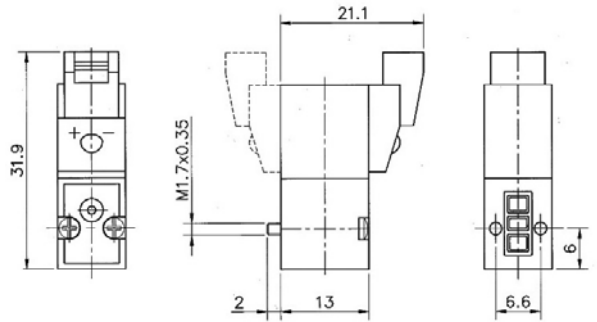
IP50



Part Number	Function	Vacuum	Solenoid	Pack.
07V 11 3 NC 01	3/2 NC	NO	24V DC	1
07V 11 3 NC 00	3/2 NC	NO	12V DC	1
07V 11 3 NO 01	3/2 NO	NC	24V DC	1
07V 11 3 NO 00	3/2 NO	NC	12V DC	1

Item integrated with surge protector.

07V 11 3 NC 01 07V 11 3 NC 00 07V 11 3 NO 01 07V 11 3 NO 00



**3/2**

10 MM SOLENOID VALVE WITH 90° CONNECTOR + LED

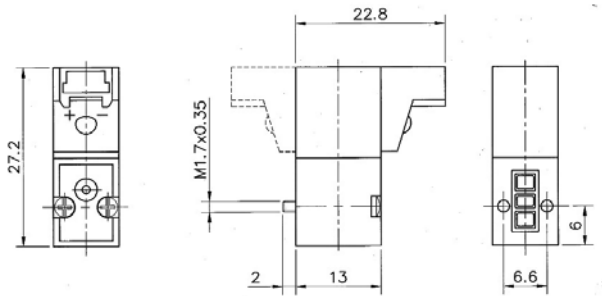
IP50



Part Number	Function	Vacuum	Solenoid	Pack.
07V 12 3 NC 01	3/2 NC	NO	24V DC	1
07V 12 3 NC 00	3/2 NC	NO	12V DC	1
07V 12 3 NO 01	3/2 NO	NC	24V DC	1
07V 12 3 NO 00	3/2 NO	NC	12V DC	1

Item integrated with surge protector.

07V 12 3 NC 01 07V 12 3 NC 00 07V 12 3 NO 01 07V 12 3 NO 00



**3/2**

10 MM SOLENOID VALVE WITH CABLE (300 MM)

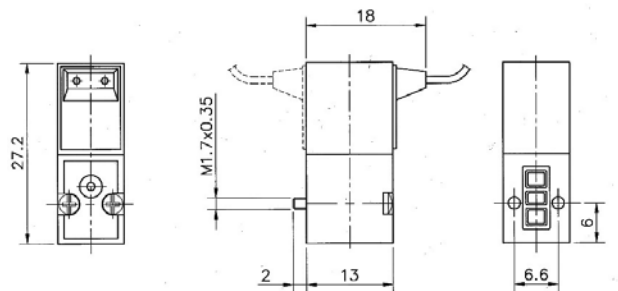
IP65



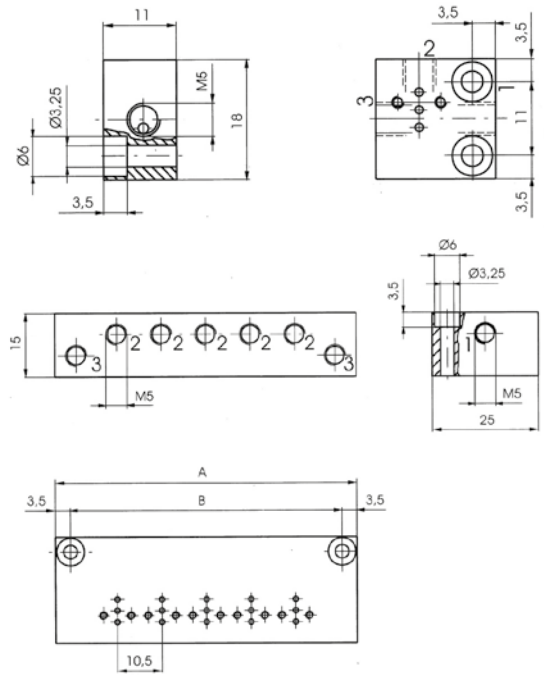
Part Number	Function	Vacuum	Solenoid	Pack.
07V 13 3 NC 01	3/2 NC	NO	24V DC	1
07V 13 3 NC 00	3/2 NC	NO	12V DC	1
07V 13 3 NO 01	3/2 NO	NC	24V DC	1
07V 13 3 NO 00	3/2 NO	NC	12V DC	1

Item integrated with surge protector.

07V 13 3 NC 01 07V 13 3 NC 00 07V 13 3 NO 01 07V 13 3 NO 00

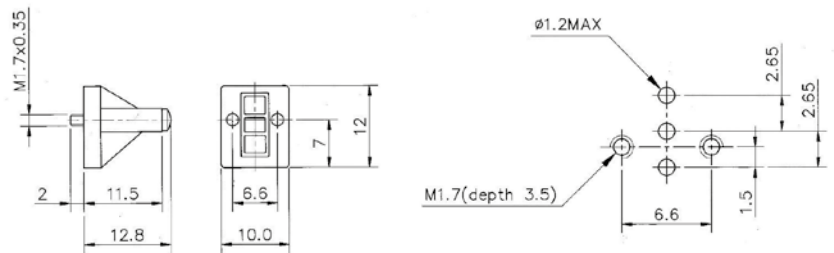


**INDIVIDUAL AND FIXED LENGTH MANIFOLD BASES**



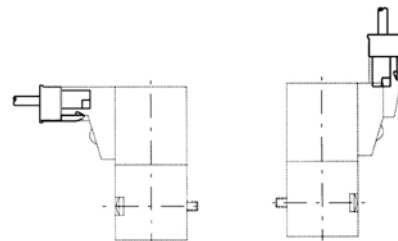
Part Number	Stations	A	B	Pack.
<b>07V 1B 0 00 01</b>	1	-	-	1
<b>07V 1B 0 00 02</b>	2	39.5	32.5	1
<b>07V 1B 0 00 06</b>	6	81.5	74.5	1
<b>07V 1B 0 00 08</b>	8	102.5	95.5	1

**BLANKING PLATE**



Part Number	Pack.
<b>07V B1 9 00 00</b>	1

**CONNECTOR WITH PVC CABLE**



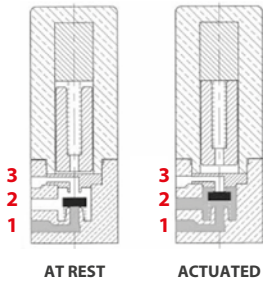
Part Number	Cable Length	Characteristics	Pack.
<b>CON 21 0 24 00</b>	500 mm	0÷24v	1
<b>CON 21 0 24 01</b>	1000 mm	0÷24v	1

**15 MM MINIATURE SOLENOID VALVES**

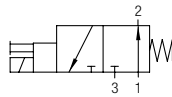
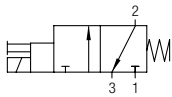
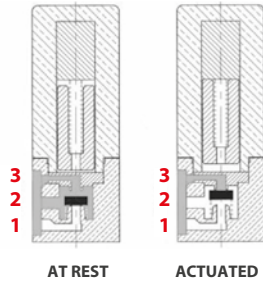


**TECHNICAL CHARACTERISTICS**

**NORMALLY CLOSED (NC) 3/2**



**NORMALLY OPEN (NO) 3/2**



**Vacuum:** 1 EXH  
2 OUT  
3 IN



**Reference Standard**

1907/2006  
**REACH**

2011/65/CE  
**RoHS**

PED  
2014/68/UE

**ISO 15218**

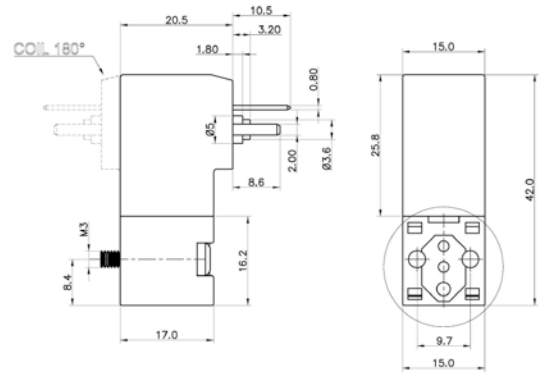
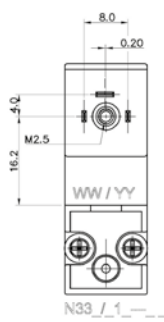
	OPERATING PRESSURE	NO	0 ÷ 7 bar 0 ÷ 101.5 psi
		NC	0 ÷ 10 bar 0 ÷ 145 psi
	TEMPERATURE		- 5 ÷ 50 °C 23 °F ÷ 122 °F
	6 bar FLOW RATE with Δp 1 bar		30 NI/min
	ORIFICE SIZE		1.1 mm
	LIFE EXPECTANCY		50 MILLION CYCLES
	VOLTAGE		12 V DC ÷ 24V DC

	POWER	2.3 W
	VOLTAGE TOLLERANCE	-5% +10%
	RESPONSE TIME WHEN ENERGIZED	10 ÷ 12 ms
	PROTECTION DEGREE	IP50 WITH CONNECTOR
	CLASS OF PROTECTION	F (155 °C) F (311°F)

Series	Actuation	Reactuation	Function	Orifice size	Voltage	
<b>0 7 V</b>	<b>2</b> 2 = 15 mm	<b>0</b> 0 = For terminals DIN 43650C	<b>3</b> 3 = 3/2	<b>NC</b> NO = Normally open NC = Normally closed	<b>1</b> 1 = 1.1 mm	<b>0</b> 0 = 12 V DC 1 = 24 V DC

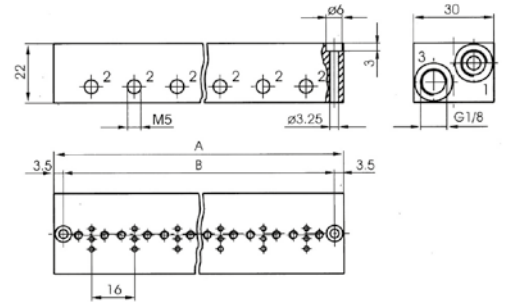
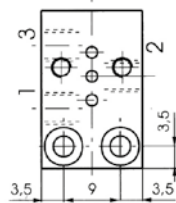
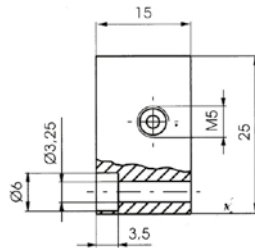
**3/2**

**15 MM SOLENOID VALVE WITH TERMINALS (DIN 43650C)**



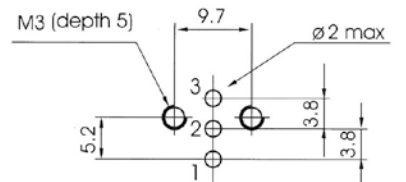
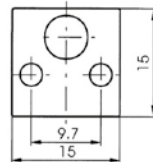
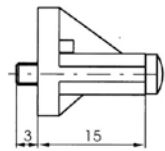
Part Number	Function	Vacuum	Solenoid	Pack.
07V 20 3 NC 11	3/2 NC	NO	24V DC	1
07V 20 3 NC 10	3/2 NC	NO	12V DC	1
07V 20 3 NO 11	3/2 NO	NC	24V DC	1
07V 20 3 NO 10	3/2 NO	NC	12V DC	1

**INDIVIDUAL AND FIXED LENGTH MANIFOLD BASES**



Part Number	Stations	A	B	Pack.
07V 2B 0 00 01	1	-	-	1
07V 2B 0 00 02	2	44	37	1
07V 2B 0 00 06	6	108	101	1
07V 2B 0 00 08	8	140	133	1

**BLANKING PLATE**



Part Number	Pack.
07V 2B 9 00 00	1