

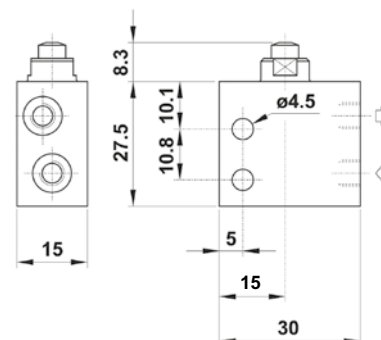
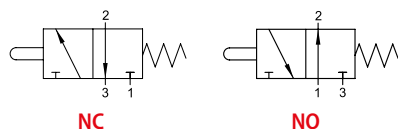
PANEL, PUSH BUTTON AND SELECTOR VALVES



MICRO VALVES

3/2

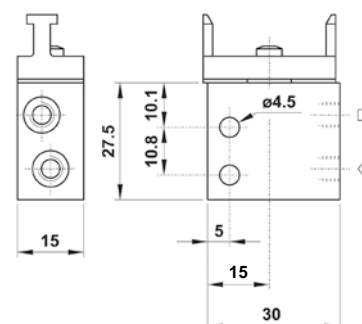
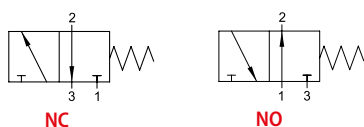
TAPPET - SPRING RETURN



Part No.	Function	Size	Pack.
02V G0 3 NC B5	3/2 NC	M5 (metric)	1
02V G0 3 NO B5	3/2 NO	M5 (metric)	1

3/2

PANEL MOUNTED ACTUATOR - SPRING RETURN



Part No.	Function	Size	Pack.
02V D0 3 NC B5	3/2 NC	M5 (metric)	1
02V D0 3 NO B5	3/2 NO	M5 (metric)	1

INTERFACE FOR CONNECTION BUTTON

Part No.	Function	Pack.
04V 06 0 00 01	SINGLE	1
04V 06 0 00 02	DOUBLE	1



04V 06 0 00 02

04V 06 0 00 01

PUSH BUTTON AND SELECTOR

PROTECTED PUSH BUTTON

Part No.	Standard Color	Pack.
04V 01 0 00 01		1

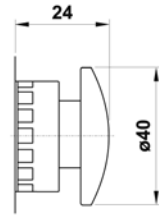
Part No.	Color	Pack.
04V 01 P 00 VE		1
04V 01 P 00 GI		1
04V 01 P 00 AZ		1



The following colors can be ordered separately.

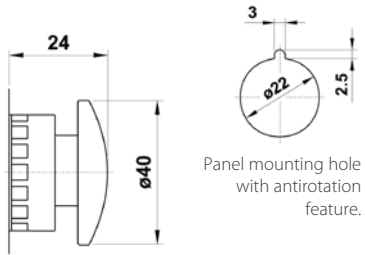
AXIAL MONO-STABLE MUSHROOM

Part No.	Color	Pack.
04V 02 0 0N 01	■	1
04V 02 0 0R 01	■	1



TURN TO UNLOCK MUSHROOM

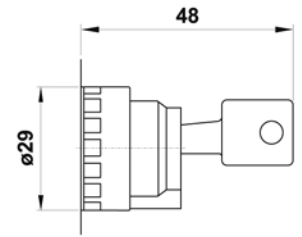
Part No.	Color	Pack.
04V 02 0 0R 02	■	1



Panel mounting hole with antirotation feature.

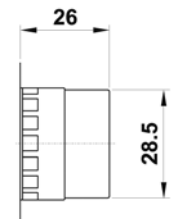
KEY SELECTOR

Part No.	Color	Function	Position to pull the key out	Pack.
04V 03 0 00 01	■	0 - 1	Only in central position	1
04V 03 0 00 02	■	0 - 1	Both position	1
04V 03 0 00 03	■	2 - 0 - 1	Only in central position	1



SHORT LEVER SELECTOR

Part No.	Color	Function	Pack.
04V 04 0 0N 01	■	0 1	1
04V 04 0 0N 02	■	0 ← 1	1
04V 04 0 0N 03	■	2 0	1
04V 04 0 0N 04	■	2 → 0 ← 1	1



LONG LEVER SELECTOR

Part No.	Color	Function	Pack.
04V 05 0 0N 01	■	0 1	1
04V 05 0 0N 02	■	0 ← 1	1
04V 05 0 0N 03	■	2 0	1
04V 05 0 0N 04	■	2 → 0 ← 1	1

