

SOLENOID VALVES

A70





TECHNICAL CHARACTERISTICS



Reference Standard

- 1907/2006
REACH ✓
- 2011/65/CE
RoHS ✓
- PED
2014/68/UE
- ATEX
2014/34/UE



Component Parts and Materials

- Anodised aluminium body
- NBR seals

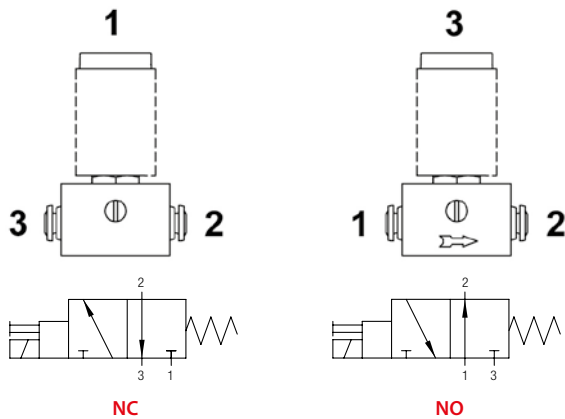
	THREADED	G 1/8 - automatic Ø 5/32 - (4)
	6 bar FLOW RATE with Δp 1 bar	30 NI/min
	OPERATING PRESSURE	0 ÷ 10 bar 0 ÷ 145 psi
	TEMPERATURE	min -10 °C 14 °F max +60 °C 140 °F
	SOLENOID VOLTAGE	24V DC - 12V DC - 24V AC 110V AC - 220V AC
	MINIMUM POWER	3W - 5VA
	MANUAL CONTROL	BISTABLE
	TORQUE OF TIGHTENING THE NUT SOLENOID	0.6 Nm

Series	Actuation	Reactuation	Function	Size
0 7 V	S	0	3	N C
	S = Solenoid with manual override	0 = Monostable spring return	3 = 3/2	NO = Normally open NC = Normally closed
				02 = 1/8 X1 = Ø 5/32 (4)

3/2

SOLENOID WITH MANUAL OVERRIDE

SOLENOID WITH MANUAL OVERRIDE

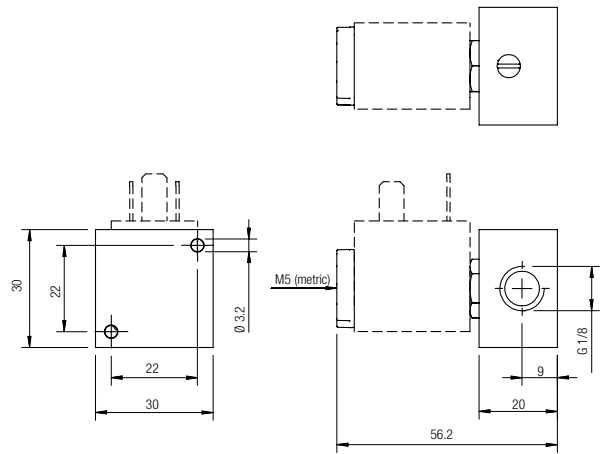
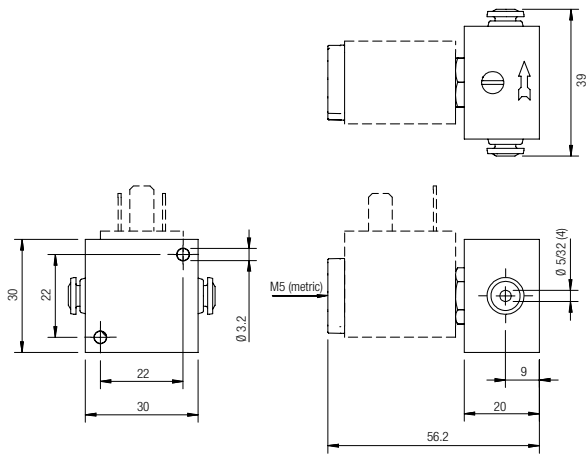


Part No.	Function	Size	Pack.
07V S0 3 NC 02	3/2 NC	G 1/8	1
07V S0 3 NC X1	3/2 NC	Ø 5/32 (4)	1
07V S0 3 NO 02	3/2 NO	G 1/8	1
07V S0 3 NO X1	3/2 NO	Ø 5/32 (4)	1
* 07V Y0 3 NC 02	3/2 NC	G 1/8	1

* Vacuum

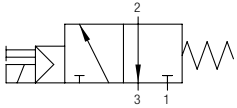
5/32 - (4)

G1/8

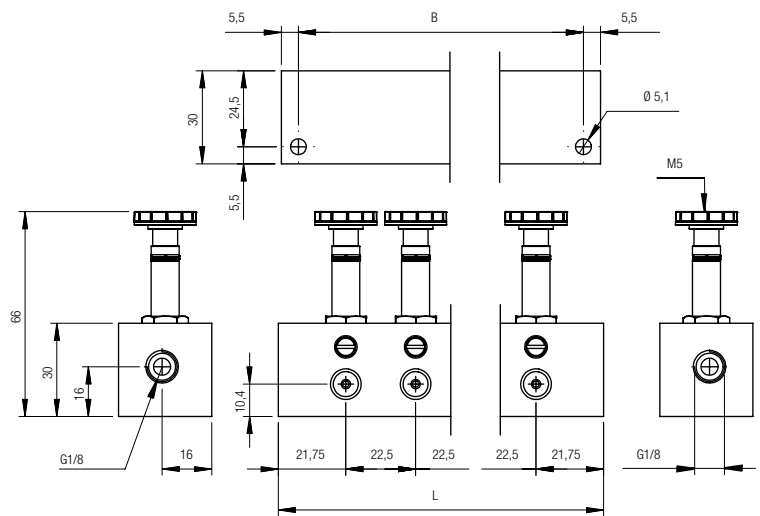


FIXED LENGTH MANIFOLD WITH MANUAL OVERRIDE

SOLENOID VALVES ON FIXED LENGTH MANIFOLD



Part No.	Function	B	L	Size	Pack.
07V B0 0 00 02	2	55	66	G 1/8	1
07V B0 0 00 03	3	77.5	88.5	G 1/8	1
07V B0 0 00 04	4	100	111	G 1/8	1
07V B0 0 00 05	5	122.5	133.5	G 1/8	1
07V B0 0 00 06	6	145	156	G 1/8	1
07V B0 0 00 07	7	167.5	178.5	G 1/8	1
07V B0 0 00 08	8	190	201	G 1/8	1
07V B0 0 00 09	9	212.5	223.5	G 1/8	1
07V B0 0 00 10	10	235	246	G 1/8	1

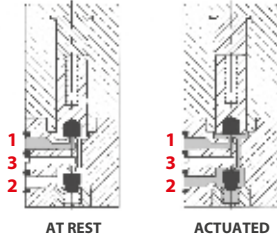


10 MM MINIATURE SOLENOID VALVES

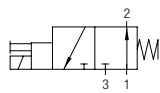
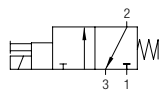
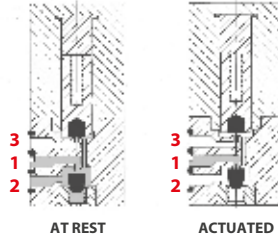


TECHNICAL CHARACTERISTICS

NORMALLY CLOSED (NC) 3/2



NORMALLY OPEN (NO) 3/2



Vacuum: 1 EXH
2 OUT
3 IN



Reference Standard

- 1907/2006
REACH ✓
- 2011/65/CE
RoHS ✓
- PED
2014/68/UE

	MAX PRESSURE	Vacuum ÷ 7 bar Vacuum ÷ 101.5 psi		VOLTAGE	12 V DC ÷ 24V DC
	TEMPERATURE	- 5 ÷ 50 °C 23 ÷ 122 °F		POWER	1.3 W
	6 bar FLOW RATE with Δp 1 bar	14 NI/min		VOLTAGE TOLLERANCE	-5% +10%
	EXHAUST FLOW	22 NI/min		RESPONSE TIME WHEN ENERGIZED	8 ms
	ORIFICE SIZE	0.7 mm		RESPONSE TIME WHEN DE-ENERGIZED	10 ms
	MAX NUMBER OF CYCLES PER MINUTE	2700		CLASS OF PROTECTION	F (155 °C) F (311 °F)
	LIFE EXPECTANCY	50 MILION CYCLES			

Series	Actuation	Reactuation	Function	Orifice size	Voltage
0 7 V	1 1 = 10 mm	1 1 = line connector + led 2 = 90° connector + led 3 = Cable (300 mm)	3 3 = 3/2	NC NO = Normally open NC = Normally closed	0 0 = 0.7 mm 0 0 = 12 V DC 1 = 24 V DC

3/2

10 MM SOLENOID VALVE WITH LINE CONNECTOR + LED

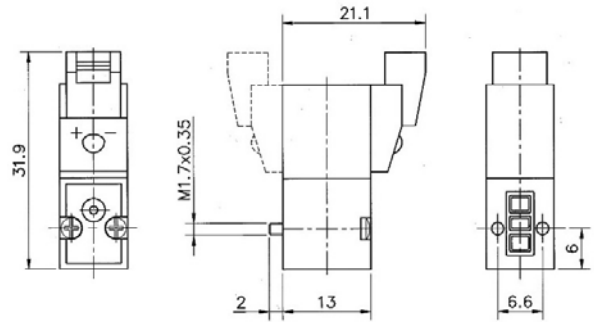
IP50



Part No.	Function	Vacuum	Solenoid	Pack.
07V 11 3 NC 01	3/2 NC	NO	24V DC	1
07V 11 3 NC 00	3/2 NC	NO	12V DC	1
07V 11 3 NO 01	3/2 NO	NC	24V DC	1
07V 11 3 NO 00	3/2 NO	NC	12V DC	1

Item integrated with surge protector.

07V 11 3 NC 01 07V 11 3 NC 00 07V 11 3 NO 01 07V 11 3 NO 00



3/2

10 MM SOLENOID VALVE WITH 90° CONNECTOR + LED

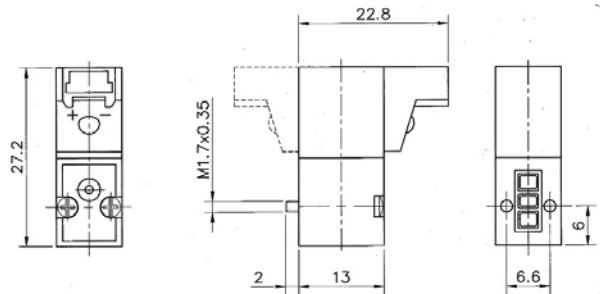
IP50



Part No.	Function	Vacuum	Solenoid	Pack.
07V 12 3 NC 01	3/2 NC	NO	24V DC	1
07V 12 3 NC 00	3/2 NC	NO	12V DC	1
07V 12 3 NO 01	3/2 NO	NC	24V DC	1
07V 12 3 NO 00	3/2 NO	NC	12V DC	1

Item integrated with surge protector.

07V 12 3 NC 01 07V 12 3 NC 00 07V 12 3 NO 01 07V 12 3 NO 00



3/2

10 MM SOLENOID VALVE WITH CABLE (300 MM)

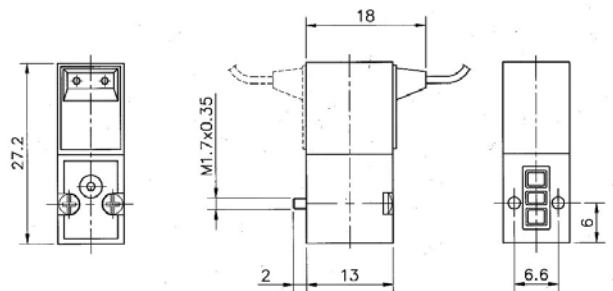
IP65



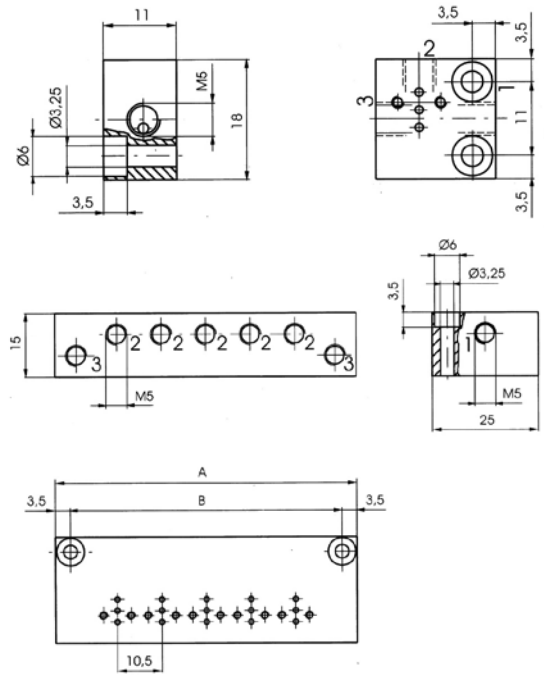
Part No.	Function	Vacuum	Solenoid	Pack.
07V 13 3 NC 01	3/2 NC	NO	24V DC	1
07V 13 3 NC 00	3/2 NC	NO	12V DC	1
07V 13 3 NO 01	3/2 NO	NC	24V DC	1
07V 13 3 NO 00	3/2 NO	NC	12V DC	1

Item integrated with surge protector.

07V 13 3 NC 01 07V 13 3 NC 00 07V 13 3 NO 01 07V 13 3 NO 00

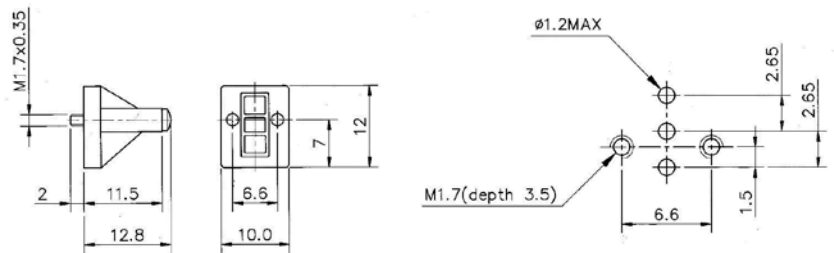


INDIVIDUAL AND FIXED LENGTH MANIFOLD BASES



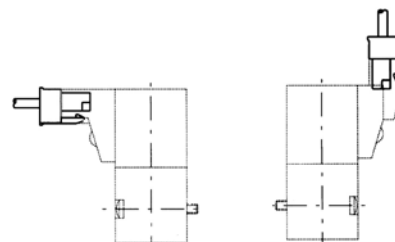
Part No.	Stations	A	B	Pack.
07V 1B 0 00 01	1	-	-	1
07V 1B 0 00 02	2	39.5	32.5	1
07V 1B 0 00 06	6	81.5	74.5	1
07V 1B 0 00 08	8	102.5	95.5	1

BLANKING PLATE



Part No.	Pack.
07V B1 9 00 00	1

CONNECTOR WITH PVC CABLE

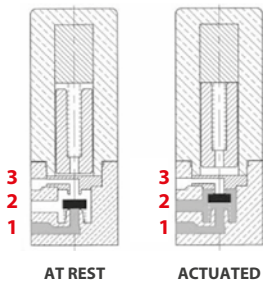


Part No.	Cable Length	Characteristics	Pack.
CON 21 0 24 00	500 mm	0÷24v	1
CON 21 0 24 01	1000 mm	0÷24v	1

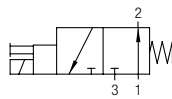
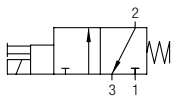
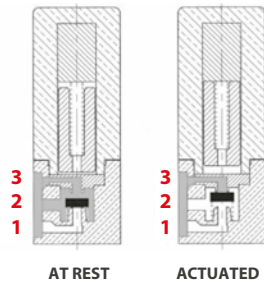
15 MM MINIATURE SOLENOID VALVES

TECHNICAL CHARACTERISTICS

NORMALLY CLOSED (NC) 3/2



NORMALLY OPEN (NO) 3/2



Vacuum: 1 EXH
2 OUT
3 IN



Reference Standard

1907/2006
REACH

2011/65/CE
RoHS

PED
2014/68/UE

ISO 15218

	OPERATING PRESSURE	NO	0 ÷ 7 bar 0 ÷ 101.5 psi
		NC	0 ÷ 10 bar 0 ÷ 145 psi
	TEMPERATURE		- 5 ÷ 50 °C 23 °F ÷ 122 °F
	6 bar FLOW RATE with Δp 1 bar		30 NI/min
	ORIFICE SIZE		1.1 mm
	LIFE EXPECTANCY		50 MILLION CYCLES
	VOLTAGE		12 V DC ÷ 24V DC

	POWER	2.3 W
	VOLTAGE TOLLERANCE	-5% +10%
	RESPONSE TIME WHEN ENERGIZED	10 ÷ 12 ms
	PROTECTION DEGREE	IP50 WITH CONNECTOR
	CLASS OF PROTECTION	F (155 °C) F (311 °F)

Series	Actuation	Reactuation	Function	Orifice size	Voltage	
0 7 V	2 2 = 15 mm	0 0 = For terminals DIN 43650C	3 3 = 3/2	NC NO = Normally open NC = Normally closed	1 1 = 1.1 mm	0 0 = 12 V DC 1 = 24 V DC

