

## MF SERIES - ISO 6432 ROUND LINE CYLINDERS



MINIMUM PRESSURE: 14.5 PSIG (1 BAR)  
MAXIMUM PRESSURE: 145 PSIG (10 BAR)



MINIMUM TEMPERATURE: 32° F (0°C)  
MAXIMUM TEMPERATURE: 176° F (80°C)



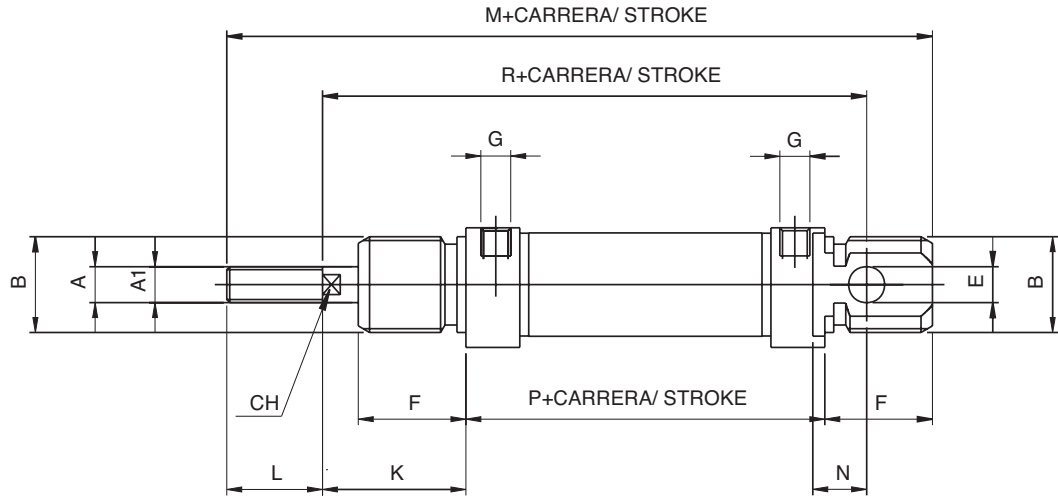
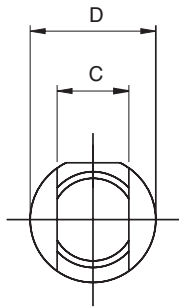
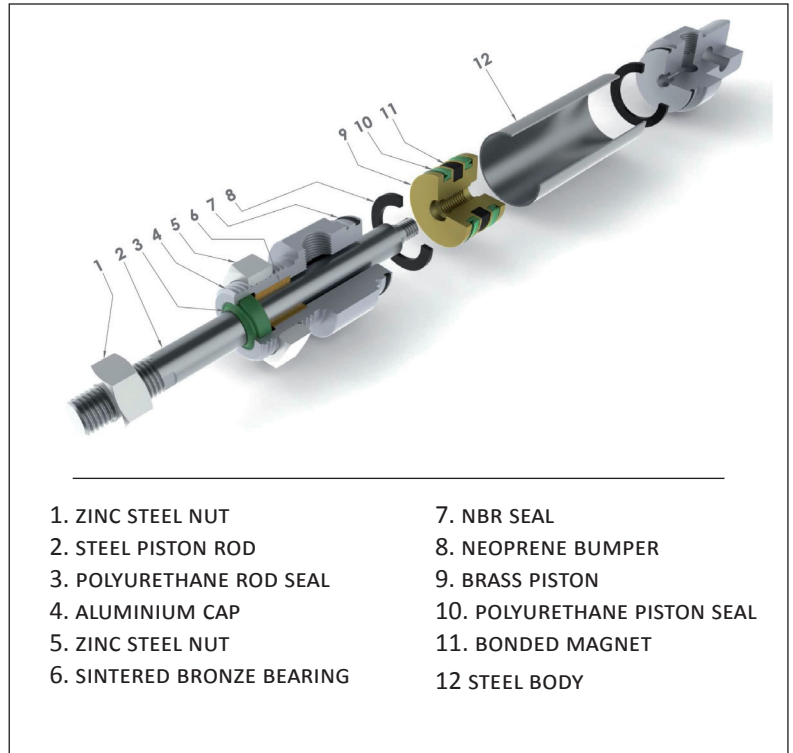
FILTERED, DRY & REGULATED COMPRESSED AIR. WITH OR WITHOUT LUBRICATION



BORE MM: 10-12-16-25  
STROKE MM: 25-50-80-100-125-160-200-250-320  
FUNCTION: DOUBLE ACTING  
CUSHIONED  
MAGNETIC

CYLINDER PART NUMBERING CONFIGURATION IS BASE ON THE FOLLOWING:

SERIES	+	BORE (3 DIGITS)	+	STROKE (3 DIGITS)	=	PART NUMBER
MH		016		010		<b>MH016025</b>
MH		025		125		<b>MH025125</b>



Ø mm.	A	A1	B	C	D	E	F	G	K	L	M	N	P	R	CH
16	M6	6	M16x1.5	12	19	6	18	M5	22	16	109	9	53	82	5
20	M8	8	M22x1.5	16	27	8	20	1/8G	24	20	131	12	67	95	7
25	M10x1.25	10	M22x1.5	16	30	8	22	1/8G	28	22	140	12	68	104	9