

SINGLE REMOTE AIR PILOT



MINIMUM PRESSURE: 29 PSIG (2 BAR)
 MAXIMUM PRESSURE: 145 PSIG (10 BAR)



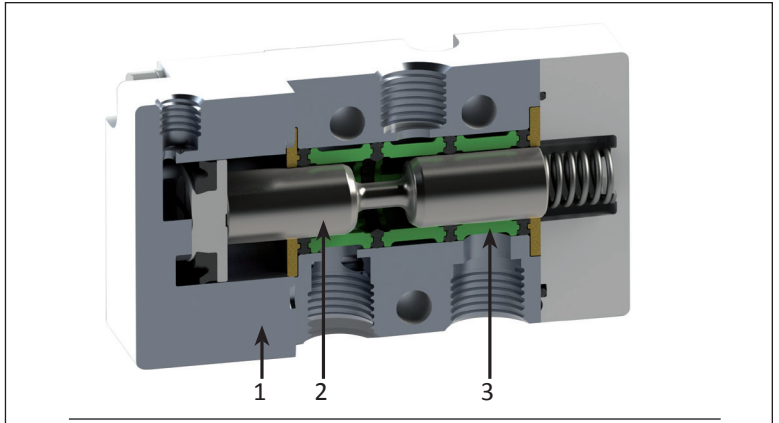
MINIMUM TEMPERATURE: 14° F (-10°C)
 MAXIMUM TEMPERATURE: 140° F (60°C)



FILTERED, DRY & REGULATED COMPRESSED AIR. WITH OR WITHOUT LUBRICATION



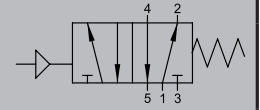
FUNCTION: 5 PORT- 4 WAY - 2 POSITION
 THREAD: BSPP
 FLOW: 1/8: .750 C_V (740NL/MIN)
 1/4: 1.22 C_V (1200NL/MIN)
 1/2: 5.00 C_V (5000NL/MIN)



1. ALUMINIUM BODY ANODIZED
2. NICKLE PLATED SPOOL
3. NBR SEALS



PART NUMBER	Port/Position	Description	Port Size
01VP050002	5/2		1/8 BSPP
01VP050003	5/2		1/4 BSPP
01VP050005	5/2		1/2 BSPP

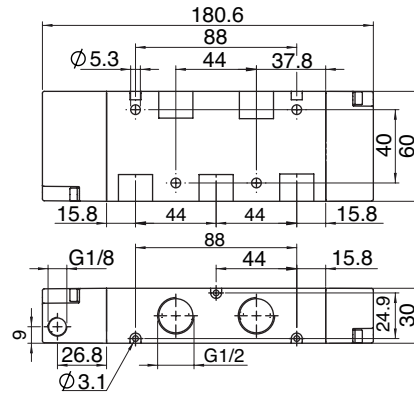
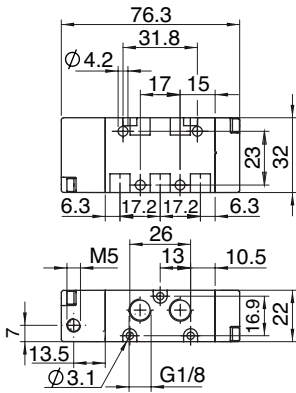


PART NUMBER:
01VP050002

FLOW:
.750 C_V
740 NL/MIN

PART NUMBER:
01VP050003

FLOW:
1.22 C_V
1200NL/MIN



PART NUMBER:
01VP050005

FLOW:
5.00 C_V
5000 NL/MIN

